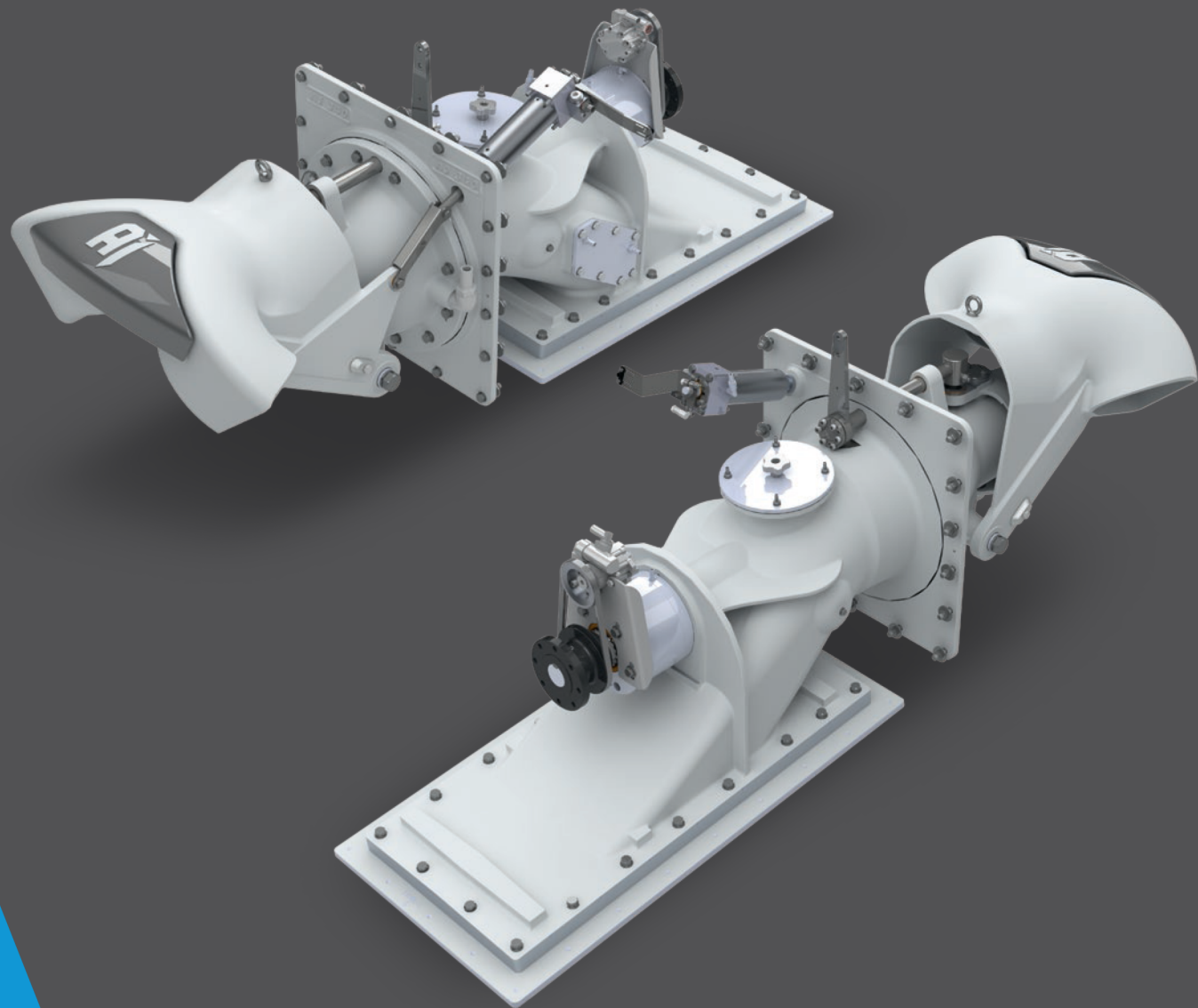


AJ 340



0-deg & 5-deg
installation
options

Integrated
oil cooler

FINCANTIERI
MARINE SYSTEMS

MSHS
Motor-Services Hugo Stamp, Inc.

SPECS



PUMP TYPE
MIXED FLOW,
SINGLE STAGE



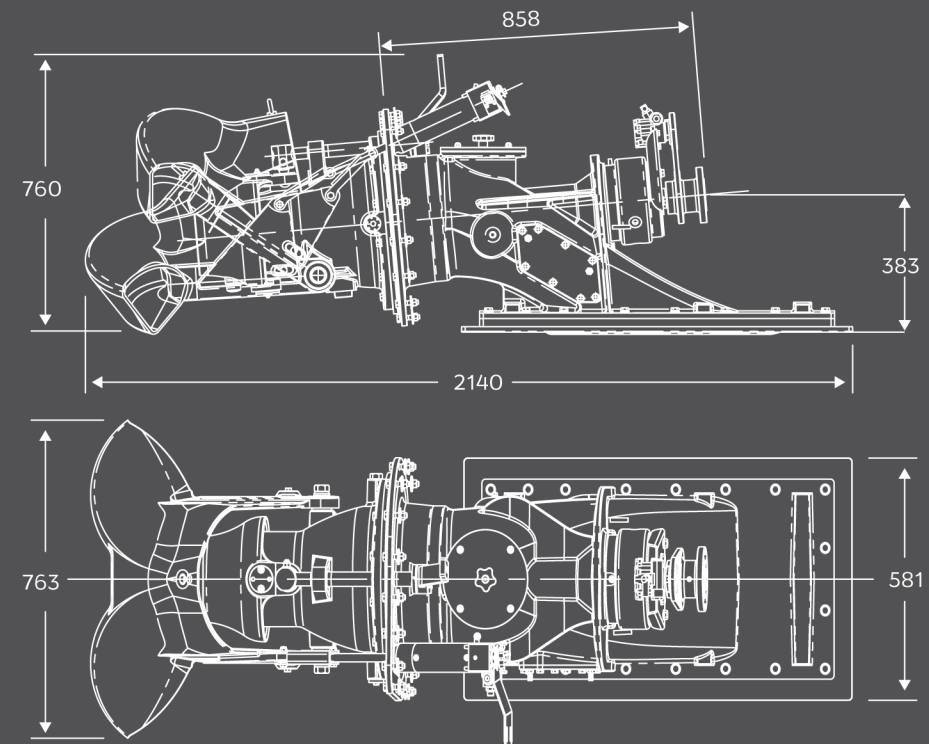
IMPELLER SHAFT RPM
MAX. 3300 1/MIN



**MAX. VESSEL
DISPLACEMENT**
7500 KG (16 535 LBS)
PER JET UNIT
(PLANING VESSEL)



JET WEIGHT
245 KG
(540 LBS)



IMPELLER DIAMETER
MAX. 335 MM
(13.2")



MAX INPUT POWER
550 KW
(750 MHP)



JET CONSTRUCTION
ALUMINIUM,
STAINLESS STEEL



**REVERSE DEFLECTOR
CONTROL**
HYDRAULIC OR
SIGMA CONTROLS

AJ 340 POWER/RPM COVERAGE

